


Clip & Pin Components

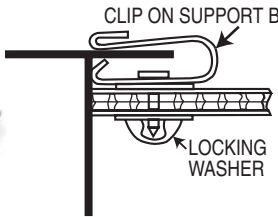
The Clip & Pin Components are designed to be used with Fi-Foil's insulation products and facings. The clips are designed for metal building and framing applications. This patented system provides a secure mechanical connection to the building's metal framing and significantly reduces labor costs.

Refer to the RetroShield System® application sheet and installation instructions for further information.

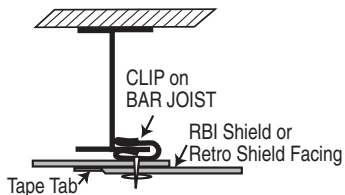
Beam/Bar Joist Clip



PATENT NO.6,324,808 B1
NO.6,385,935 B2




CLIP ON SUPPORT BEAM
LOCKING WASHER



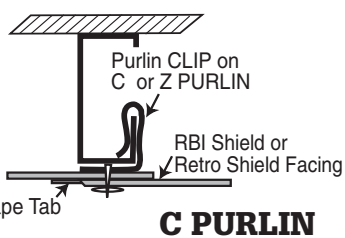
CLIP ON BAR JOIST
RBI Shield or Retro Shield Facing
Tape Tab

- Beams
- Bar Joists

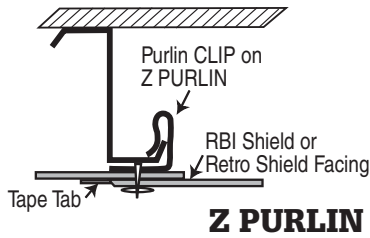
Purlin Clip



PATENT NO.6,324,808 B1
NO.6,385,935 B2



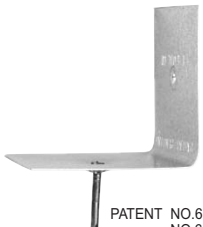
Purlin CLIP on C or Z PURLIN
RBI Shield or Retro Shield Facing
Tape Tab
C PURLIN



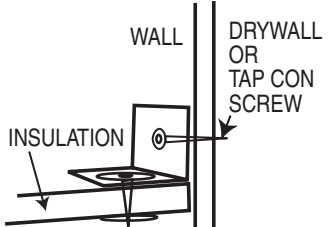
Purlin CLIP on Z PURLIN
RBI Shield or Retro Shield Facing
Tape Tab
Z PURLIN

- C Type Purlins
- Z Type Purlins

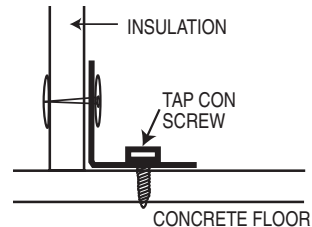
Angle Clip



PATENT NO.6,324,808 B1
NO.6,385,935 B2




WALL
INSULATION
DRYWALL OR TAP CON SCREW



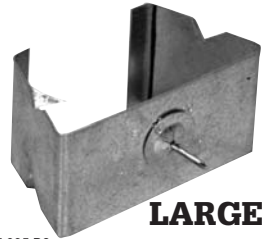
INSULATION
TAP CON SCREW
CONCRETE FLOOR

- Sidewalls
- Floors

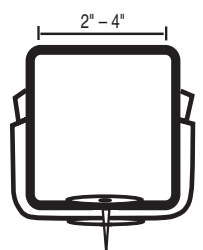
Tube Clips



SMALL



LARGE



2" - 4"

- 2" - 2 1/2"
- 3" - 4"


PATENT NO.6,324,808 B1 & NO.6,385,935 B2

TEST DATA

Type Metal Electro Galvanized
 Temper 1/2 Hard
 Thickness 0.03
 Physical Properties (Hardness) 30168

Refer to these other documents:


- RetroShield System® Application Sheet
- RetroShield System® Installation Sheet



Boxes of 12 or 120

PATENT NO.6,324,808 B1 & NO.6,385,935 B2

Locking Washers





P. O. Box 800
Auburndale, FL 3823
800-448-3401
863-965-1846